

Lift&Drive The Original Mobile·Ergonomic·Lifting·Solution



Ergonomics is never history

Since PRONOMIC was founded in 1989, the focus has always been on employee health and safety.

We started with the assumption healthy employees work more productively with higher motivation and a greater focus on innovation. At PRONOMIC, health is viewed and protected as a primary asset.

Ergonomics is always the future

PRONOMIC guarantees operator health is maintained and productivity is increased. Everyday.



PRONOMIC core competence

Thousands of Lift&Drive and MobiCrane are in use worldwide. The intended uses are analysed individually according to the requirements and solutions are designed and created for optimal ergonomic and efficient use.

Know-how in handling

The operators and their safety are always the focus of the respective task when it comes to making operations simple and ergonomic.



Lift&Drive



MobiCrane



Lift&Drive - The model family



Lift&Drive P

Safety



Precision spindle

the precision spindle provides linear lifting/ lowering movements and full power delivery even during full-load operation. Maintenance-free and safe for many years of reliable use. Perfectly combined with the

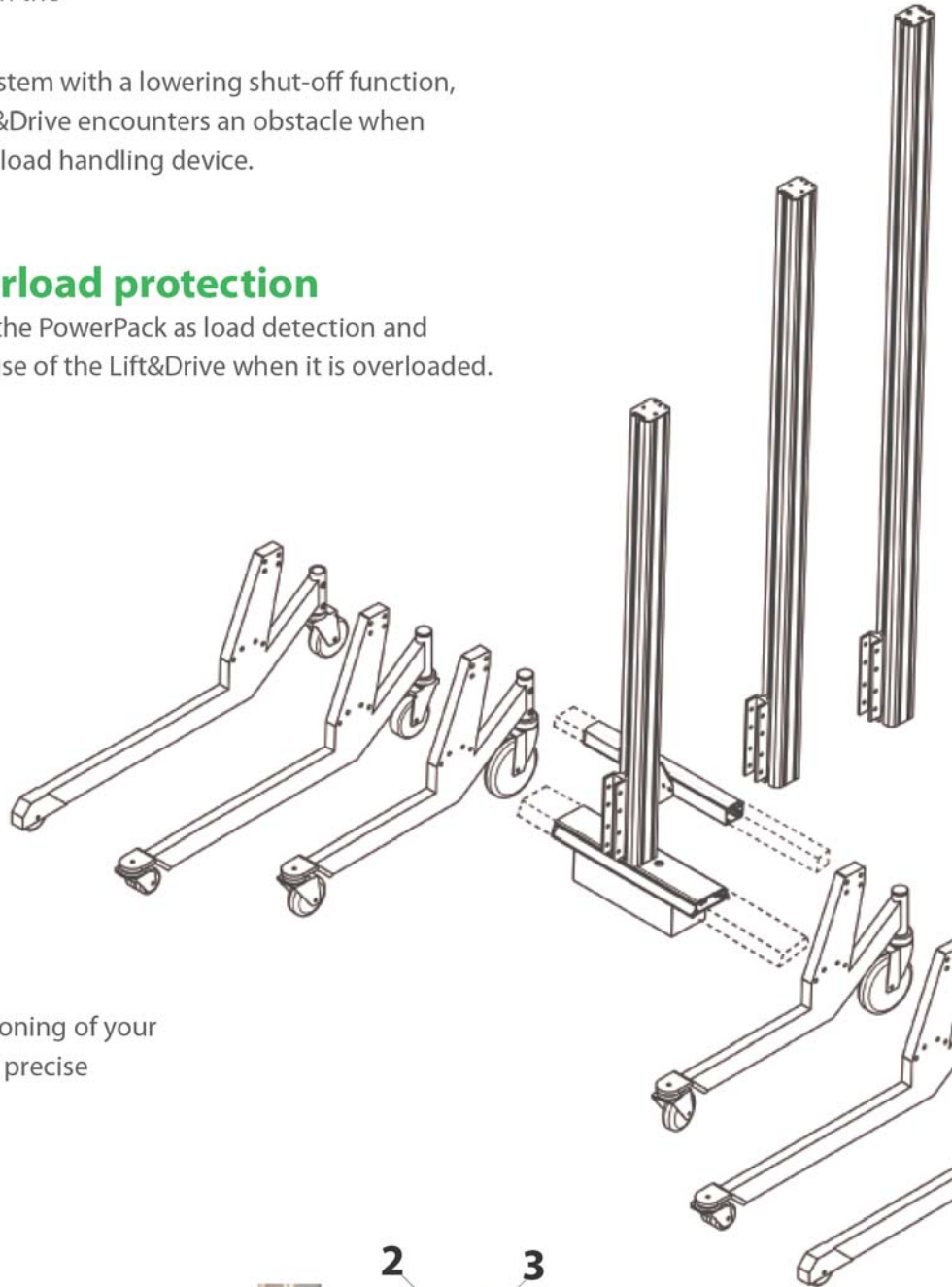
Safety clutch

the safety freewheel system with a lowering shut-off function, operates when the Lift&Drive encounters an obstacle when lowering the platform/ load handling device.



Electronic overload protection

is always integrated in the PowerPack as load detection and controls/prevents the use of the Lift&Drive when it is overloaded.



Automatic motor brake

this locks the drive unit and allows for positioning of your platform/ load handling device down to the precise millimetre.

The 1-2-3 brake

1 Standing

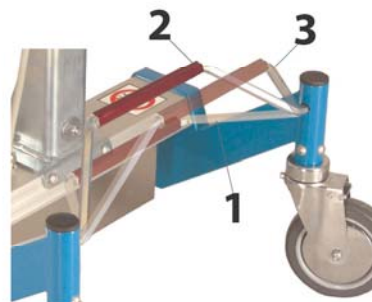
with roller and directional locking

2 Driving and positioning

with roller and directional freewheel for stress-free driving and positioning

3 Sliding

by the aid of the directional lock of the rollers makes steering and sliding possible on longer transportation routes



Modular options

Load capacities of 90, 125, 175, 225 kg

Select from an extensive range of models with complete flexibility. Individually design your Lift&Drive up to 225 kg modularly and for the specific handling tasks and location. All of this with the best load capacity to tare weight ratio.

Variable lift masts

Lift masts are available in a range of lengths and customisation is also available down to the precise millimetre. Adjust the total height and the required vertical travel optimally to the handling heights and the spatial conditions. Alternatively it is even available as a telescope lift mast for double the vertical travel.

Ergonomic push handles

These have safety grip zones, optimal power steering efficiency ratio and continuous height adjustability.

Wired remote controls

2-button control with defined lifting/lowering speed
4-button control with defined lifting/lowering speed and adjustable/programmable positioning speed

Need based battery packs

Our battery packs have various performance levels, from single shift to a multi-shift system. Loading stations, holding devices, performance indicators, connections for external users (e.g. scales, scanning/rotating/swiveling/gripping devices), etc. Concentrated performance with a reserve included.

Universal interfaces

Lift&Drive allows for quick change of devices when multiple platforms/ load handling devices are being used interchangeably.

Platforms/Load handling devices are the key

Platforms/ load handling are the key to ergonomic, efficient and safe handling. PRONOMIC has an extensive product range and our materials handling specialists offer you the cross-sector know-how for creating your own individually customized handling system. PRONOMIC – Know-how in handling.

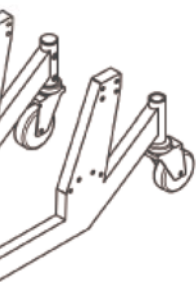
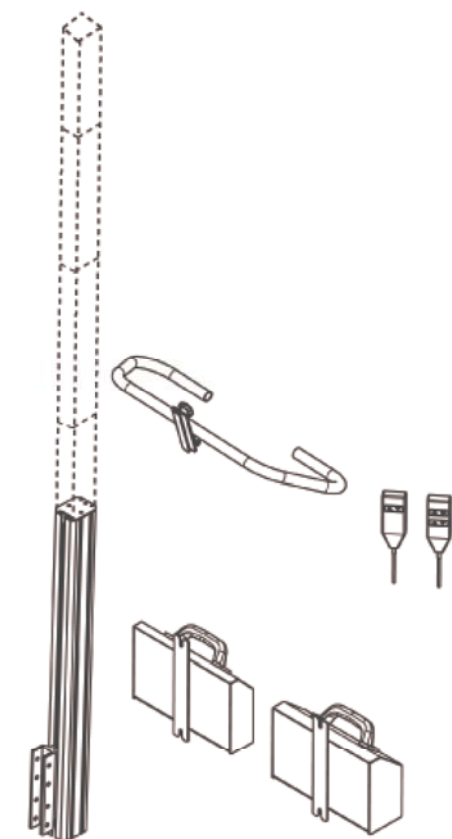
Variable widths and chassis types

With the variety of widths and chassis types available you can adapt your Lift&Drive to a specific handling application. Variable in the widths, heights, and lengths of the chassis, the design of the rollers, and even customized chassis designs. Your Lift&Drive is adapted to your needs, handling procedure, and surroundings - not the other way around.

Surfaces

Our surface and finishes provide a protective coating and visual appearance at the same time.

- The typical **PRONOMIC blue** powder coating
- The hygienic design - stainless steel/aluminum anodized
- Your custom colour (ie OEM) to individually represent your brand image.

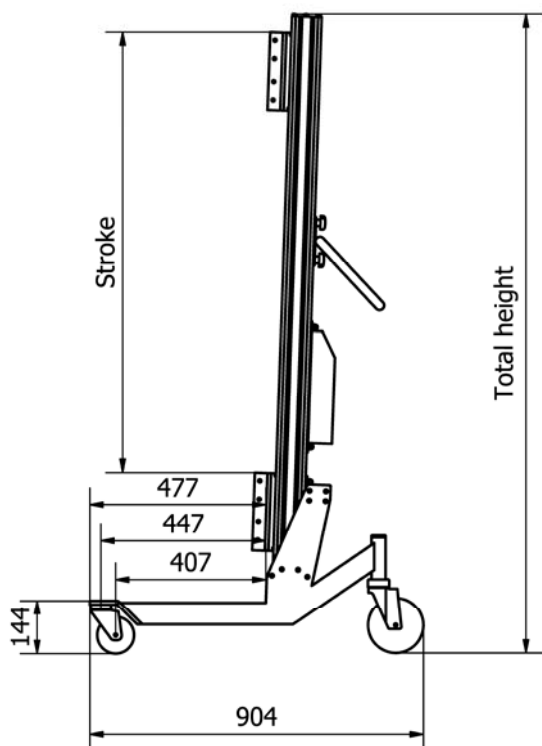


Lift&Drive 90P/125P

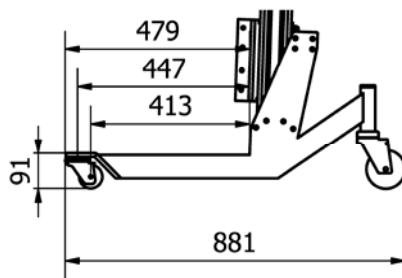
The fully modular Lift&Drive model family

offers extensive options for customizing your handling system. The load capacity, total height, vertical travel, length, and width can be modified beyond the data specified here

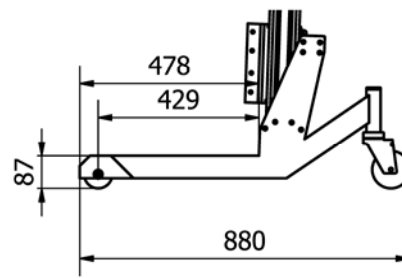
- to be perfectly tailored to the application and site of operation.



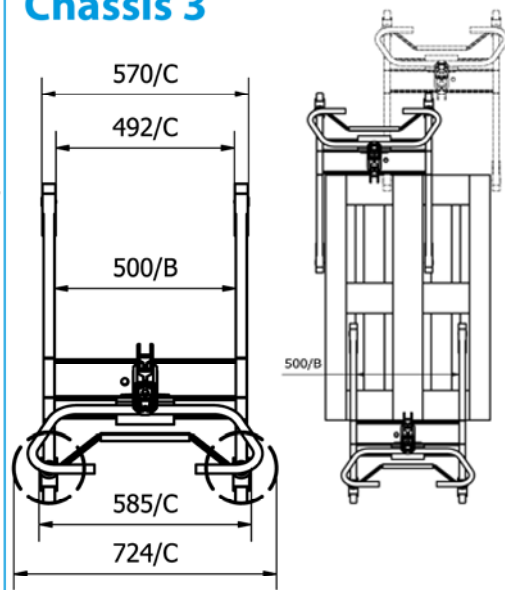
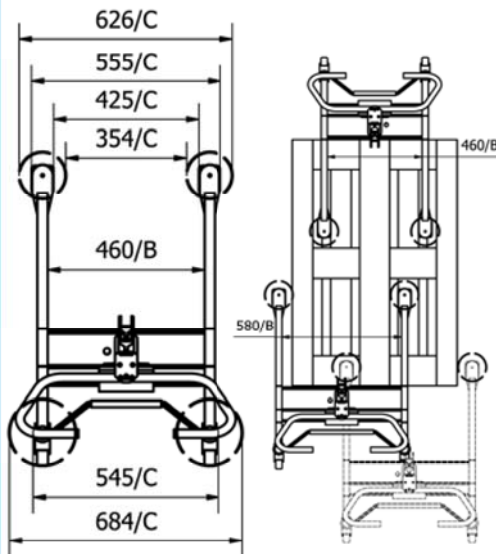
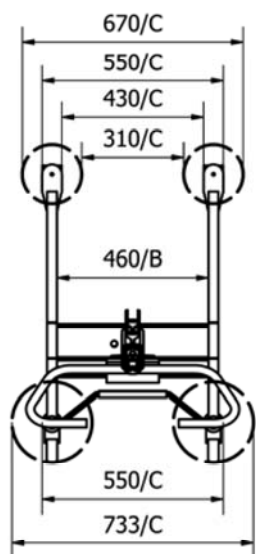
Chassis 1



Chassis 2



Chassis 3



Model-specific technical data:

Load capacity (kg) / tare weight (min. kg)
 Vertical travel / Stroke (mm)
 Total height with chassis 1 (mm)
 chassis 2 (mm)
 chassis 3 (mm)
 Lifting speed (mm/sec.)

Lift&Drive90P

90 / 35
1192 1442 1692
1732 1982 2232
1681 1931 2181
1680 1930 2180
116/95

Lift&Drive125P

125 / 36
1192 1442 1692 1892 2192
1732 1982 2232 2432 2732
1681 1931 2181 2381 2681
1680 1930 2180 2380 2680
98/85 unloaded/fully loaded

General technical data of the models Lift&Drive 90P and Lift&Drive 125P:

Length (mm)

additional smaller/larger dimensions are available to the precise mm/in module increments

Width / W (mm)

all dimensions from 350 to 1300 mm available to the precise mm

PowerPack

7.2 Ah/24 V, 12 Ah/24 V, both with a quick-change kit standard

Charging voltage

A country-specific charger is always included in every delivery.

Chargers are available for all electrical grids worldwide.

Surface

Powder coating or stainless steel/aluminum anodized

Lift&Drive 175P/225P

All features of the original

- **The modular kit**

Customized and future-oriented handling systems

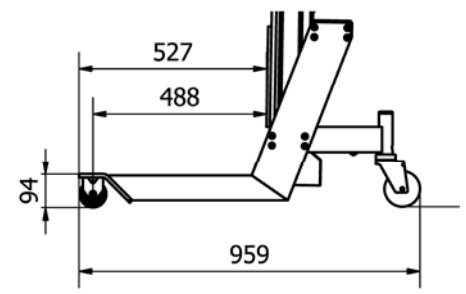
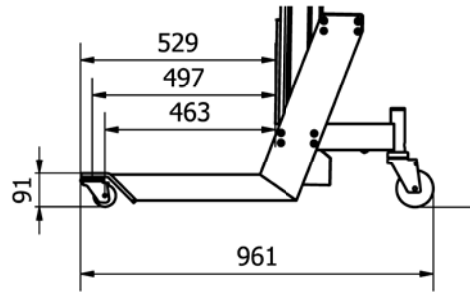
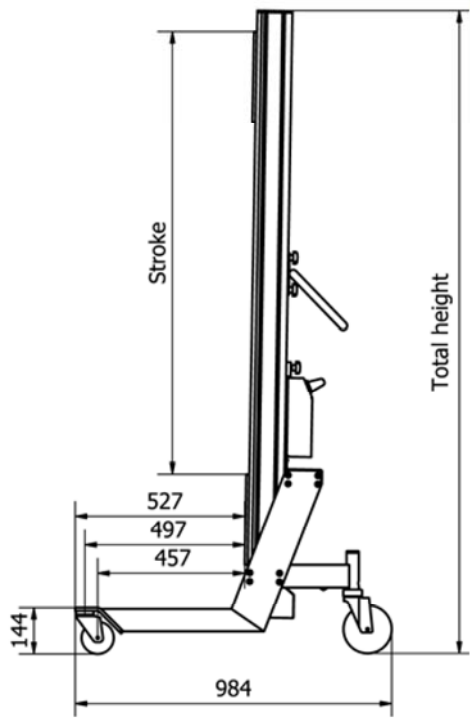
- **The safety package**

Safety coupling, electric precision drive with engine brake

- **The ergonomic concept**

Stress-free handling, maneuvering, and positioning

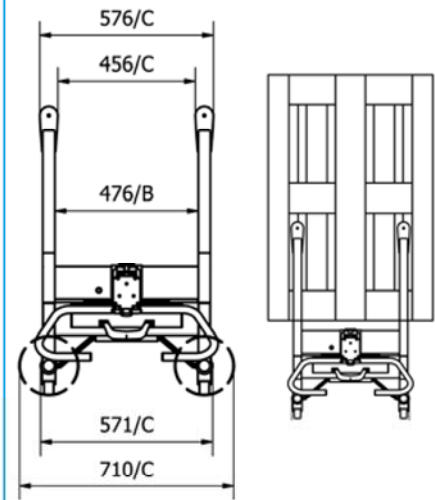
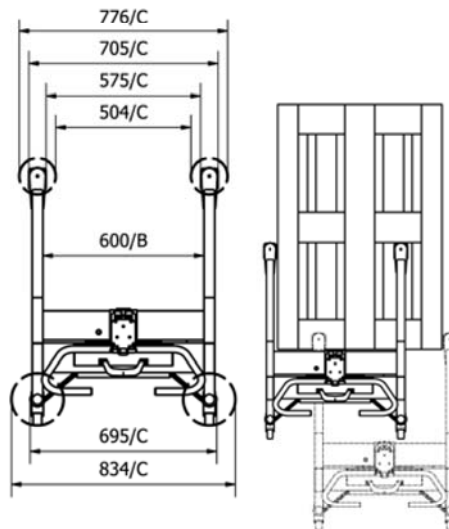
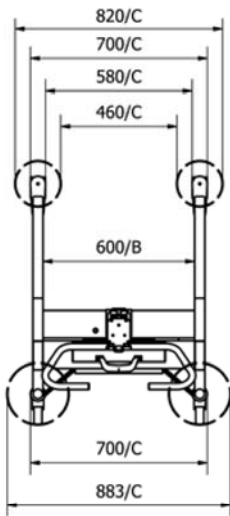
offered only from PRONOMIC: In every Lift&Drive P.



Chassis 1

Chassis 2

Chassis 3



Model-specific technical data:

Load capacity (kg) / tare weight (min. kg)
 Vertical travel / Stroke (mm)
 Total height with carriage 1/2/3 (mm)
 Lifting speed (mm/sec.)

Lift&Drive175P

175 / 65
1380 1880 2380
1952 2452 2952
110/85

Lift&Drive225P

225 / 69
1280 1780 2280
1952 2452 2952
100/75 unloaded/fully loaded

General technical data of the models Lift&Drive 175P and Lift&Drive 225P:

Length (mm)

additional smaller/larger dimensions are available to the precise mm/in module increments

Width / W (mm)

all dimensions from 476 to 1200 mm available to the precise mm

PowerPack

17Ah/24 V, 34 Ah/24 V, both with a quick-change set standard

Charging voltage

A country-specific charger is always included in every delivery.

Surface

Powder coating or stainless steel/aluminum anodized

The **data in bold** refers to the base model. If the width/B is modified then a new width/C will result.

Our standard – always completely customised. Handling systems from PRONOMIC



Scale



Squeeze&Turn



Expand&Turn



Lift fork



Platform



Industry standard lift fork



Prong



Roller platform



PRONOMIC

Industry, installation, retail, and logistics
Productive systems in action – worldwide.



Standard container fork



Individual gripper



EasyTip



Multiboxgripper



Container turner



Platform



Wheel installation fork



Lift&Drive E

Safety

Precision spindle

the precision spindle provides linear lifting/ lowering movements and full power delivery even during full-load operation. Maintenance-free and safe for many years of reliable use. Perfectly combined with the

Safety clutch

the safety freewheel system with a lowering shut-off function, operates when the Lift&Drive encounters an obstacle when lowering the platform/ load handling device.

Positioning/Motor brake

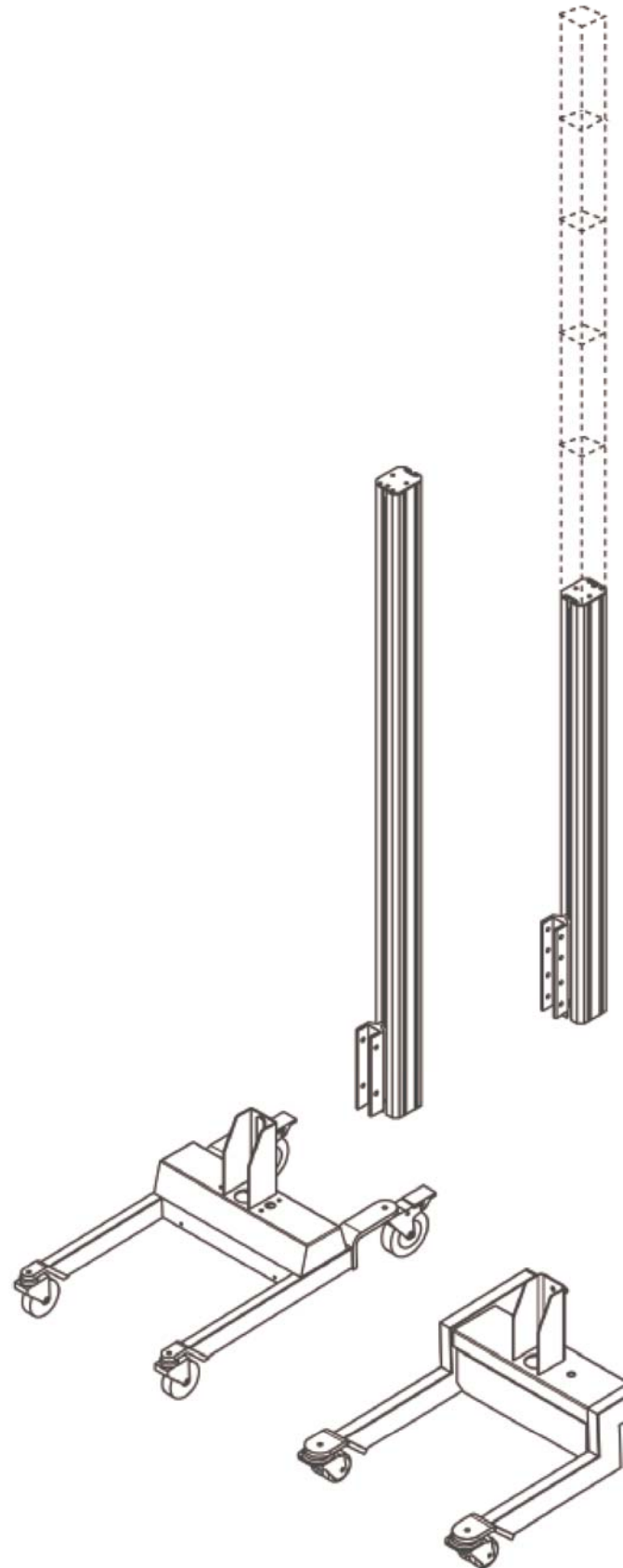
automatically blocks/locks the drive unit and enables you to position your platform/load handling device.

Electronic overload protection

is always integrated in the PowerPack as burden/load detection and controls/prevents the use of the Lift&Drive when it is overloaded.

Footbrake

- Standstill and roller locking through the simple activation of the roller brake switch on the back rollers
- Driving and positioning with roller and directional freewheel for stress-free driving and positioning.



Modular options

Load capacities

of 70 kg, 90 kg, and 115 kg are available.

Load capacity levels tailored to your needs create your customized model.

Lift masts

are available in various preset lengths in the Lift&Drive E model series.

Wired remote controls

2-button control with defined lifting/lowering speed.

4-button control with defined lifting/lowering speed.

and adjustable/programmable positioning speed.

Ergonomic push handles

with safety grip zones, optimal power steering efficiency ratio and continuous height adjustability.

Universal interfaces

e.g. for the use of quick-change devices when multiple platforms/load handling devices are to be used interchangeably with the Lift&Drive.

Platforms/Load handling devices

are offered by PRONOMIC individually tailored and customized.

Handling systems have also been virtually "preconfigured" for a variety of applications and individually designed and customized for the needs of various industries. Catering, pharmacies, banks, postal services, auto repair shops, etc. PRONOMIC – Know-how in handling.

Various chassis types

for optimally adapting to the application and site of operation. Whether standard or low-built, whether with a compact or industrial design - a Lift&Drive E offers many options.

Surfaces

provide a protective coating and visual appearance at the same time.

- The typical **PRONOMIC blue** powder coating
- The hygienic design - stainless steel/aluminum anodized
- Your custom color (i.e. OEM) is individually representing your image.

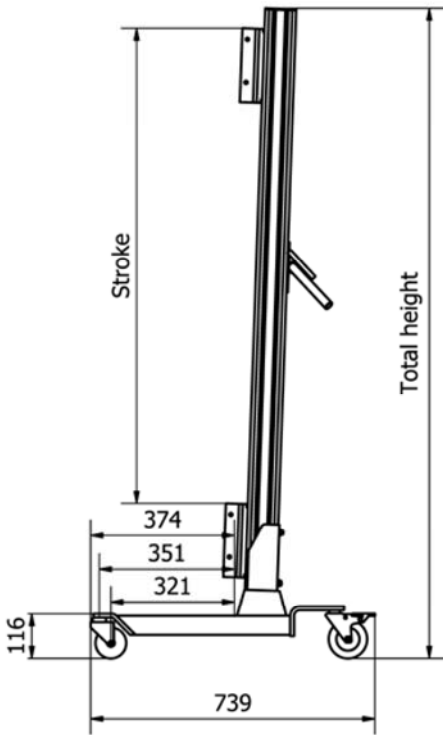


Lift&Drive 90E

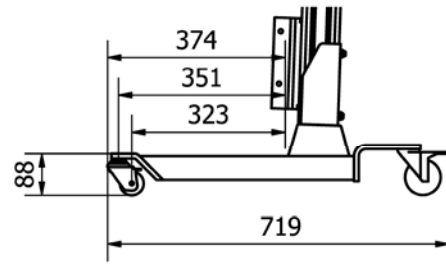
Ergonomics and efficiency as a system

are the strengths of the Lift&Drive E series. The vertical travel and load capacity levels were brought together in the model series on the basis of multiple industry requirements. This is why there is so much flexibility

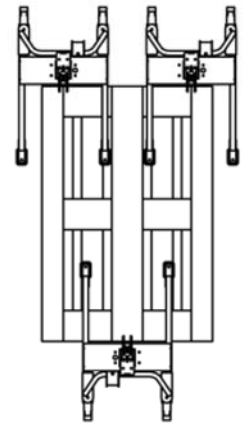
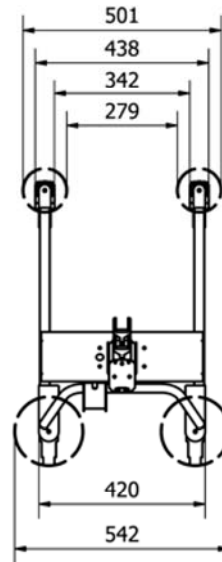
from the configuration options of the Lift&Drive E and the load handling devices.



Chassis 1



Chassis 2



Model-specific technical data:

Load capacity (kg) / tare weight (min. kg)
 Vertical travel / Stroke (mm)
 Total height with chassis 1 (mm)
 chassis 2 (mm)
 Lifting speed (mm/sec.)

Lift&Drive70E

70 / 33
 984 **1234** 1484 1734
 1442 **1692** 1942 2192
 1413 **1663** 1913 2163
115/95

Lift&Drive90E

90 / 34
 984 **1234** 1484 1734
 1442 **1692** 1942 2192
 1413 **1663** 1913 2163
115/95 unloaded/fully loaded.

General technical data of the models Lift&Drive 70E and Lift&Drive 90E:

PowerPack
 Brake/positioning
 Charging voltage

7,2Ah/24V
self-locking (70E) **automatic engine brake (90E).**
A country-specific charger is always included in every delivery.
Chargers are available for all electrical grids worldwide.
Powder coating or stainless steel/aluminum anodized.

Surface

Lift&Drive 90IE/115IE

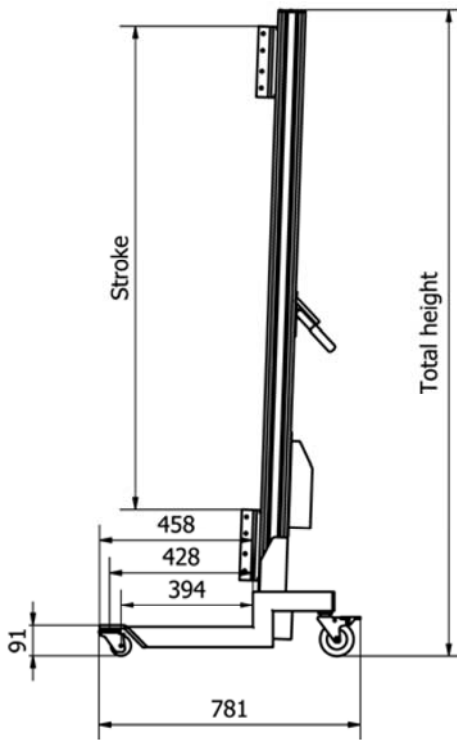
4+
Versions

40+
Configurations

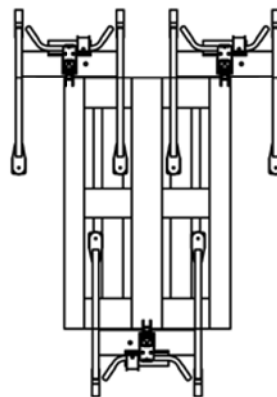
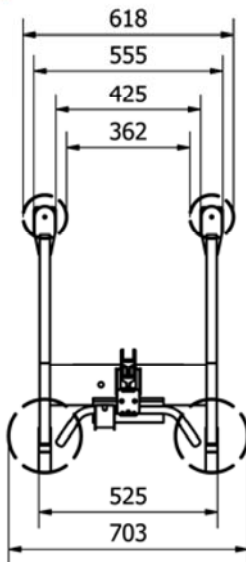
400+
Options

The extra flexibility in thousands of Lift&Drive E units make work ergonomic, motivated and increase productivity – worldwide and across many industries: Pharmaceuticals, retail, production, logistics and many PRONOMIC standard which also adds

to their efficiency other sectors benefit from the and safety.



Chassis 1



Model-specific technical data:

Load capacity (kg) / tare weight (min. kg)
Vertical travel / Stroke (mm)
Total heights (mm)
Lifting speed (mm/sec.)

Lift&Drive90IE

90 / 40
1192 1442 1692
1678 1982 2178
98/85

Lift&Drive115IE

115 / 41
1192 1442 1692 1892 2192
1678 1982 2178 2378 2678
98/85 unloaded/fully loaded.

General technical data of the models Lift&Drive 90IE and Lift&Drive 115IE:

PowerPack
Brake/positioning
Charging voltage

Surface

7,2Ah/24V
automatic engine brake.
A country-specific charger is always included in every delivery.
Chargers are available for all electrical grids worldwide.
Powder coating or stainless steel/aluminum anodized.

The **data in bold** refers to the base model.



Platform with loading rollers

Individually designed from experience. Handling systems from PRONOMIC.



Standard platform



Standard platform with V-block



Roller prong



Roller platform with roller stopper



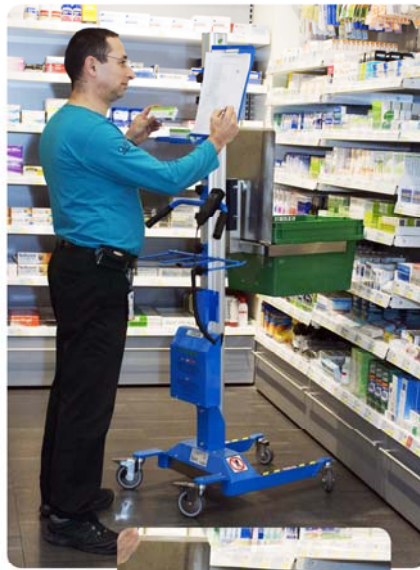
Standard container fork with hinged platform



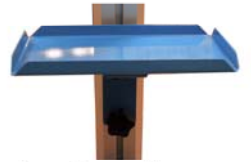
Wheel installation fork



Ergonomic handling across the entire line. Productive systems in action - worldwide.



Writing surface



Small part/pen/pencil tray



Garbage bag holder



2/4-button remote control



Charger holder



Hinged stepladder



Container tray



We look forward to supporting your handling needs.

Represented by:

SMEYERS-TU NV/SA

Treft 61 / 3 B-1853 Strombeek-Bever

☎ 02-461 21 09 📠 02-461 21 44

www.pronomic-lift.be

PRONOMIC reserves the right to alter this document without notification.

Liability exclusion for eventual mistakes in this brochure.

All rights reserved for the content of this brochure (picture/text content) for PRONOMIC.

PRONOMIC, Lift&Drive, MobiCrane (and eventually others) are trademarks of PRONOMIC AB, Sweden.

